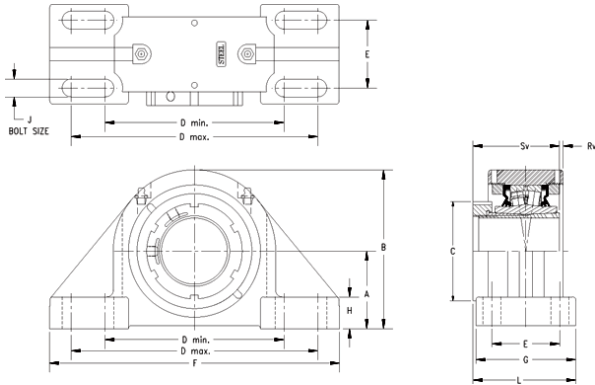




TON BEARING CO.,LTD.



timken QVPK22V100S Solid Block/Spherical Roller Bearing Housed Units-Single V-Lock Four-Bolt Pillow Block

Bearing No. QVPK22V100S

QVPK22V100S Bearing 2D drawings and 3D CAD models

Engineering Group	Mounted Bearing
Shaft Size	100 mm
Shaft Size Type	Metric
Full Timken Part Number	QVPK22V100SB
Locking Style	Single V-Lock
Weight	87 lb
Housing Style	Four-Bolt Pillow Block
UPC Code	0883450055048
Dimension A	5.75 in
Dimension B	10.78 in
Dimension C	5.5 in
Dimension D Max	15.56 in
Dimension D Min	13.94 in
Dimension E	4.00 in
Dimension F	18.500 in
Dimension G	6.2500 in
Dimension H	1.80 in
Dimension L	5.45 in
Dimension RV	0.19 in
Dimension SV	4.13 in
C0 - Static Load	147000 lb
C - Dynamic Load (Basic)	125000 lb
e - Geometry Factor	0.25
Y1 - Geometry Factor	2.73
Y2 - Geometry Factor	4.06



TON BEARING CO.,LTD.

Oil Lubrication - M/N Seal	900 rpm
Oil Lubrication - T Seal	1700 rpm
Oil Lubrication - B/C/O Seal	600 rpm
Grease Lubrication - M/N Seal	900 rpm
Grease Lubrication - T Seal	1200 rpm
Grease Lubrication - B/C/O Seal	600 rpm
Float	0.083 in
Shaft Tolerance	0.0030 in
Eng Internal Radial Clearance - Min	0.0053
Eng Internal Radial Clearance - Max	0.0067
Pre Install Clearance Min	0.0053 in
Pre Install Clearance Max	0.0067 in