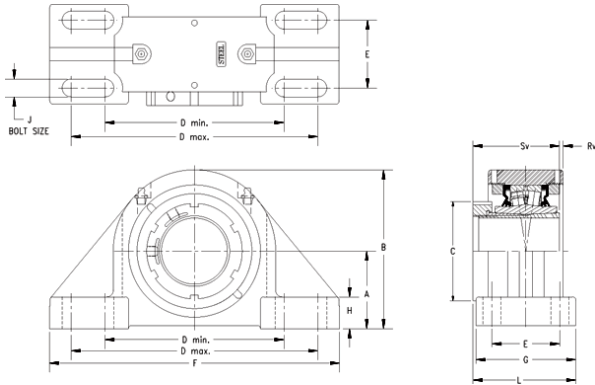




TON BEARING CO.,LTD.



timken QVPK17V212S Solid Block/Spherical Roller Bearing Housed Units-Single V-Lock Four-Bolt Pillow Block

Bearing No. QVPK17V212S

QVPK17V212S Bearing 2D drawings and 3D CAD models

Engineering Group	Mounted Bearing
Shaft Size	2-3/4 in
Shaft Size Type	Imperial
Full Timken Part Number	QVPK17V212SB
Locking Style	Single V-Lock
Weight	37.0 lb
Housing Style	Four-Bolt Pillow Block
UPC Code	0883450149181
Dimension A	4.00 in
Dimension B	7.92 in
Dimension C	4.19 in
Dimension D Max	12.19 in
Dimension D Min	10.81 in
Dimension E	3.00 in
Dimension F	15.00 in
Dimension G	4.7500 in
Dimension H	1.50 in
Dimension L	4.47 in
Dimension RV	0.76 in
Dimension SV	3.33 in
C0 - Static Load	71900 lb
C - Dynamic Load (Basic)	66900 lb
e - Geometry Factor	0.22
Y1 - Geometry Factor	3.07
Y2 - Geometry Factor	4.57



TON BEARING CO.,LTD.

Oil Lubrication - M/N Seal	1400 rpm
Oil Lubrication - T Seal	2400 rpm
Oil Lubrication - B/C/O Seal	1100 rpm
Grease Lubrication - M/N Seal	1400 rpm
Grease Lubrication - T Seal	2000 rpm
Grease Lubrication - B/C/O Seal	1100 rpm
Float	0.083 in
Shaft Tolerance	0.0020 in
Eng Internal Radial Clearance - Min	0.0037
Eng Internal Radial Clearance - Max	0.0047
Pre Install Clearance Min	0.0037 in
Pre Install Clearance Max	0.0047 in