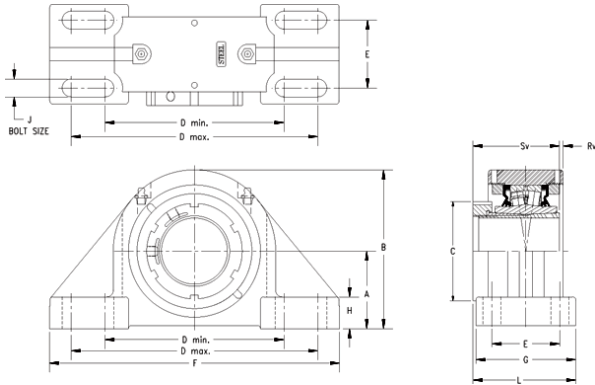




TON BEARING CO.,LTD.



timken QVPK17V070S Solid Block/Spherical Roller Bearing Housed Units-Single V-Lock Four-Bolt Pillow Block

Bearing No. QVPK17V070S

QVPK17V070S Bearing 2D drawings and 3D CAD models

Engineering Group	Mounted Bearing
Shaft Size	70 mm
Shaft Size Type	Metric
Full Timken Part Number	QVPK17V070SB
Locking Style	Single V-Lock
Weight	37.0 lb
Housing Style	Four-Bolt Pillow Block
UPC Code	0883450149228
Dimension A	4.00 in
Dimension B	7.92 in
Dimension C	4.19 in
Dimension D Max	12.19 in
Dimension D Min	10.81 in
Dimension E	3.00 in
Dimension F	15.00 in
Dimension G	4.7500 in
Dimension H	1.50 in
Dimension L	4.47 in
Dimension RV	0.76 in
Dimension SV	3.33 in
C0 - Static Load	71900 lb
C - Dynamic Load (Basic)	66900 lb
e - Geometry Factor	0.22
Y1 - Geometry Factor	3.07
Y2 - Geometry Factor	4.57



TON BEARING CO.,LTD.

Oil Lubrication - M/N Seal	1400 rpm
Oil Lubrication - T Seal	2400 rpm
Oil Lubrication - B/C/O Seal	1100 rpm
Grease Lubrication - M/N Seal	1400 rpm
Grease Lubrication - T Seal	2000 rpm
Grease Lubrication - B/C/O Seal	1100 rpm
Float	0.083 in
Shaft Tolerance	0.0020 in
Eng Internal Radial Clearance - Min	0.0037
Eng Internal Radial Clearance - Max	0.0047
Pre Install Clearance Min	0.0037 in
Pre Install Clearance Max	0.0047 in