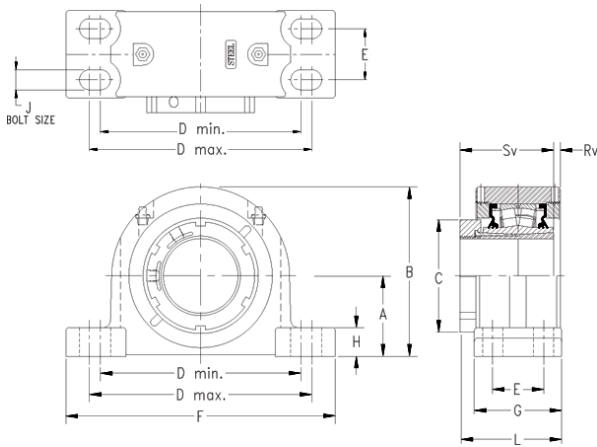




TON BEARING CO.,LTD.



timken QVPR19V307S Solid Block/Spherical Roller Bearing Housed Units-Single V-Lock Four-Bolt Pillow Block

Bearing No. QVPR19V307S

Engineering Group	Mounted Bearing
Shaft Size	3-7/16 in
Shaft Size Type	Imperial
Full Timken Part Number	QVPR19V307SB
Locking Style	Single V-Lock
Weight	49.0 lb
Housing Style	Four-Bolt Pillow Block
UPC Code	0883450060615
Dimension A	3.75 in
Dimension B	7.69 in
Dimension C	4.9 in
Dimension D Max	11.25 in
Dimension D Min	9.25 in
Dimension E	2.38 in
Dimension F	13.63 in
Dimension G	3.7500 in
Dimension H	1.56 in
Dimension J (Bolt Size)	0.750 in
Dimension L	4.19 in
Dimension RV	0.29 in
Dimension SV	3.69 in
C0 - Static Load	99000 lb
C - Dynamic Load (Basic)	86600 lb
e - Geometry Factor	0.23
Y1 - Geometry Factor	2.88

QVPR19V307S Bearing 2D drawings and 3D CAD models



TON BEARING CO.,LTD.

Y2 - Geometry Factor	4.29
Oil Lubrication - M/N Seal	1300 rpm
Oil Lubrication - T Seal	2200 rpm
Oil Lubrication - B/C/O Seal	1000 rpm
Grease Lubrication - M/N Seal	1300 rpm
Grease Lubrication - T Seal	1800 rpm
Grease Lubrication - B/C/O Seal	950 rpm
Float	0.083 in
Shaft Tolerance	0.0030 in
Eng Internal Radial Clearance - Min	0.0043
Eng Internal Radial Clearance - Max	0.0055
Pre Install Clearance Min	0.0043 in
Pre Install Clearance Max	0.0055 in