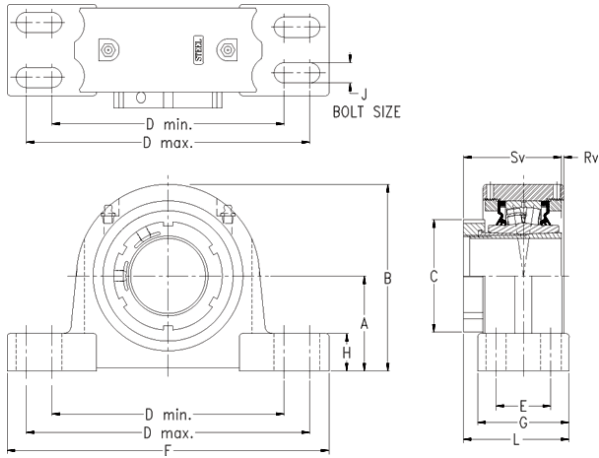




TON BEARING CO.,LTD.



timken QVPG22V312S Solid Block/Spherical Roller Bearing Housed Units-Single V-Lock Four-Bolt Pillow Block

Bearing No. QVPG22V312S

QVPG22V312S Bearing 2D drawings and 3D CAD models

Engineering Group	Mounted Bearing
Shaft Size	3-3/4 in
Shaft Size Type	Imperial
Full Timken Part Number	QVPG22V312SB
Locking Style	Single V-Lock
Weight	87 lb
Housing Style	Four-Bolt Pillow Block
UPC Code	0883450147330
Dimension A	4.92 in
Dimension B	9.38 in
Dimension C	5.5 in
Dimension D Max	14.50 in
Dimension D Min	11.88 in
Dimension E	2.75 in
Dimension F	16.13 in
Dimension G	4.7500 in
Dimension H	1.75 in
Dimension J (Bolt Size)	0.750 in
Dimension L	4.94 in
Dimension RV	0.39 in
Dimension SV	4.13 in
C0 - Static Load	147000 lb
C - Dynamic Load (Basic)	125000 lb
e - Geometry Factor	0.25
Y1 - Geometry Factor	2.73



TON BEARING CO.,LTD.

Y2 - Geometry Factor	4.06
Oil Lubrication - M/N Seal	900 rpm
Oil Lubrication - T Seal	1700 rpm
Oil Lubrication - B/C/O Seal	600 rpm
Grease Lubrication - M/N Seal	900 rpm
Grease Lubrication - T Seal	1200 rpm
Grease Lubrication - B/C/O Seal	600 rpm
Float	0.083 in
Shaft Tolerance	0.0030 in
Eng Internal Radial Clearance - Min	0.0053
Eng Internal Radial Clearance - Max	0.0067
Pre Install Clearance Min	0.0053 in
Pre Install Clearance Max	0.0067 in