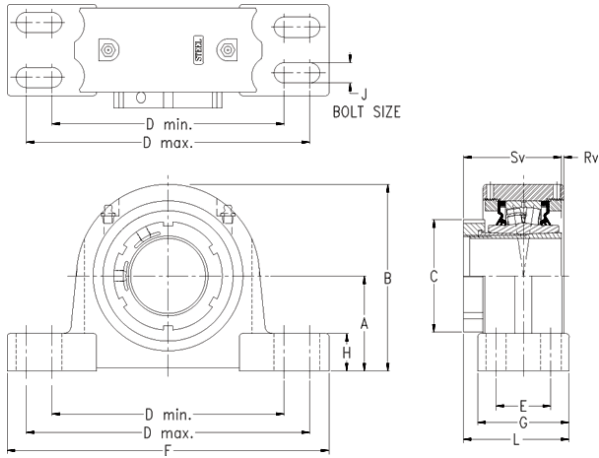




TON BEARING CO.,LTD.



timken QVPG13V203S Solid Block/Spherical Roller Bearing Housed Units-Single V-Lock Four-Bolt Pillow Block

Bearing No. QVPG13V203S

Engineering Group	Mounted Bearing
Shaft Size	2-3/16 in
Shaft Size Type	Imperial
Full Timken Part Number	QVPG13V203SB
Locking Style	Single V-Lock
Weight	25 lb
Housing Style	Four-Bolt Pillow Block
UPC Code	0883450147149
Dimension A	3.15 in
Dimension B	6.10 in
Dimension C	3.16 in
Dimension D Max	8.56 in
Dimension D Min	7.18 in
Dimension E	1.89 in
Dimension F	10.31 in
Dimension G	3.2500 in
Dimension H	1.38 in
Dimension J (Bolt Size)	0.625 in
Dimension L	3.64 in
Dimension RV	0.09 in
Dimension SV	3.36 in
C0 - Static Load	48600 lb
C - Dynamic Load (Basic)	46400 lb
e - Geometry Factor	0.24
Y1 - Geometry Factor	2.79

QVPG13V203S Bearing 2D drawings and 3D CAD models



TON BEARING CO.,LTD.

Y2 - Geometry Factor	4.15
Oil Lubrication - M/N Seal	1800 rpm
Oil Lubrication - T Seal	3200 rpm
Oil Lubrication - B/C/O Seal	1500 rpm
Grease Lubrication - M/N Seal	1800 rpm
Grease Lubrication - T Seal	2800 rpm
Grease Lubrication - B/C/O Seal	1500 rpm
Float	0.083 in
Shaft Tolerance	0.0015 in
Eng Internal Radial Clearance - Min	0.0030
Eng Internal Radial Clearance - Max	0.0037
Pre Install Clearance Min	0.0030 in
Pre Install Clearance Max	0.0037 in