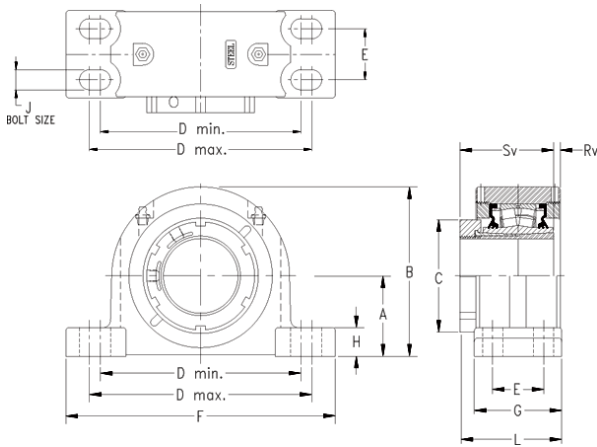




TON BEARING CO.,LTD.



timken QVPF28V500S Solid Block/Spherical Roller Bearing Housed Units-Single V-Lock Four-Bolt Pillow Block

Bearing No. QVPF28V500S

Engineering Group	Mounted Bearing
Shaft Size	5 in
Shaft Size Type	Imperial
Full Timken Part Number	QVPF28V500SB
Locking Style	Single V-Lock
Weight	137.0 lb
Housing Style	Four-Bolt Pillow Block
UPC Code	0883450088343
Dimension A	5.50 in
Dimension B	11.01 in
Dimension C	7.48 in
Dimension D Max	15.88 in
Dimension D Min	13.75 in
Dimension E	2.75 in
Dimension F	17.50 in
Dimension G	5.040 in
Dimension H	1.54 in
Dimension J (Bolt Size)	0.875 in
Dimension L	6.03 in
Dimension RV	0.05 in
Dimension SV	5.82 in
C0 - Static Load	237000 lb
C - Dynamic Load (Basic)	194000 lb
e - Geometry Factor	0.25
Y1 - Geometry Factor	2.67

QVPF28V500S Bearing 2D drawings and 3D CAD models



TON BEARING CO.,LTD.

Y2 - Geometry Factor	3.98
Oil Lubrication - M/N Seal	650 rpm
Oil Lubrication - T Seal	1200 rpm
Oil Lubrication - B/C/O Seal	350 rpm
Grease Lubrication - M/N Seal	650 rpm
Grease Lubrication - T Seal	900 rpm
Grease Lubrication - B/C/O Seal	350 rpm
Float	0.083 in
Shaft Tolerance	0.0050 in
Eng Internal Radial Clearance - Min	0.0063
Eng Internal Radial Clearance - Max	0.0079
Pre Install Clearance Min	0.0063 in
Pre Install Clearance Max	0.0079 in